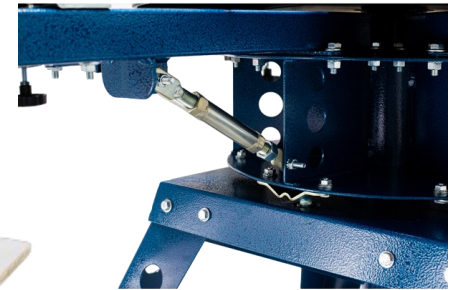
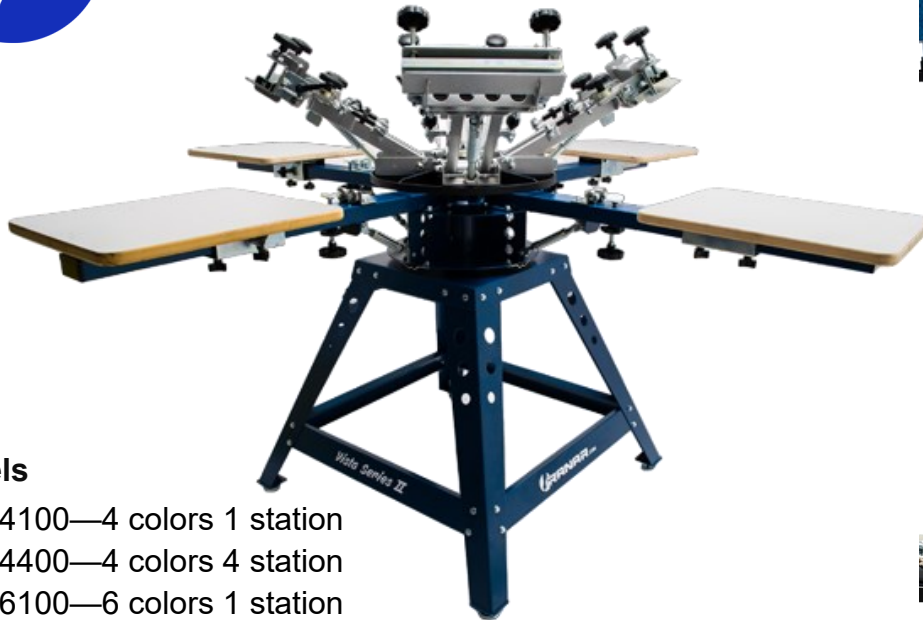
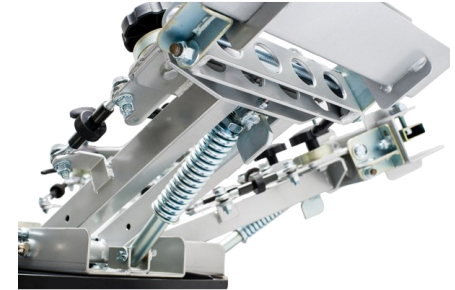




VISTA II SERIES



Station leveling



Adjustable Spring Tension

Models

- ◆ V-4100—4 colors 1 station
- ◆ V-4400—4 colors 4 station
- ◆ V-6100—6 colors 1 station
- ◆ V-6400—6 colors 4 station
- ◆ V-6600—6 colors 6 station

The Vista series II entry level press is designed to grow with your business. You can easily add more colors, extra stations, and multiple rotating stations for higher production and flash drying. The design allows for upgrades to be done either at the time of purchase or at a later date giving the user the flexibility to budget their purchase without sacrificing quality or durability. Ranar Vista Series II press is an industrial grade machine that produces quality results.

OPTIONS

- ◆ Side Clamps
- ◆ Automatic Press Quick Release
- ◆ Aluminum Platens
- ◆ Number and Hat Printing Attachments
- ◆ Ranar Accessories and Pallets Available
- ◆ Casters

FEATURES

- ◆ Fine Movement Micro Registrations Knobs
- ◆ Visual Micro Registration Zero Reference Point
- ◆ Finger Tip Adjustable Compression Spring Tension
- ◆ Steel Index Key w/Roller Bearing Registration
- ◆ Off-Contact Adjustment
- ◆ Screen Angle Adjustment Knobs
- ◆ Adjustments for Uneven Screens
- ◆ Tool Free Adjustments
- ◆ Quick Change Pallets
- ◆ Pallet Stations Leveling Strut
- ◆ Station Arm Pallet Location Ruler
- ◆ Leveling Feet
- ◆ Expandable Colors and Stations
- ◆ Heavy Duty, Tapered Roller Bearings
- ◆ Large Center w/Steel Construction

Ranar - Efficient Quality & Long Lasting!

RANAR SCREEN PRINTING EQUIPMENT, INC **SALES@RANAR.COM**
1340 STYLEMASTER DR **310-414-4122**
UNION MO 63084 **WWW.RANAR.COM**

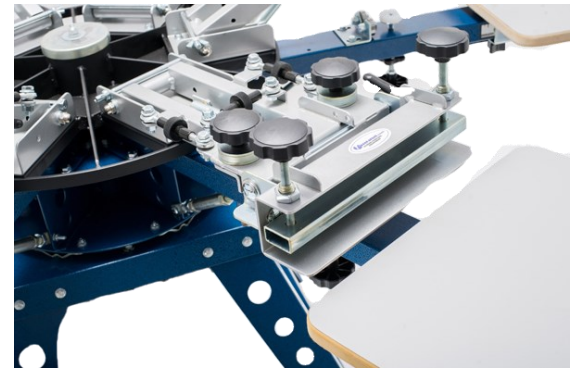


Missouri Department of
Economic Development

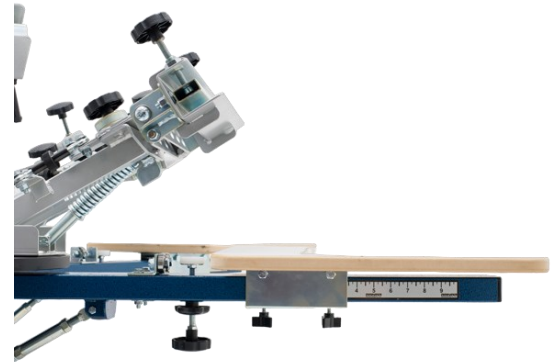




VISTA II SERIES



Micro adjustment head



Station Arm Pallet Location Ruler



Roller Bearing Registration System

Ranar Vista Series II rotary-station screen printing presses are ideal for entry level to commercial screen printing shops capable of producing high volume prints and quality screen printed designs on t-shirts, garments, and bags. The tool free design and micro registration system provides x, y, z directional movement with a visual reset reference point built in. Adjustments for the screen angle and off contact make it easy to setup and print jobs quickly. The center shaft design provides smooth rotation of the arms and lift heads with the use of heavy duty, tapered roller bearings on the upper and lower carousels which is ideal for trouble-free spin from shirt to shirt. These presses include the same features as any expensive press has while producing the same quality screen printed, multi-color designs at an affordable price point.

RANAR SCREEN PRINTING EQUIPMENT, INC **SALES@RANAR.COM**
1340 STYLEMASTER DR **310-414-4122**
UNION MO 63084 **WWW.RANAR.COM**



Missouri Department of
Economic Development

